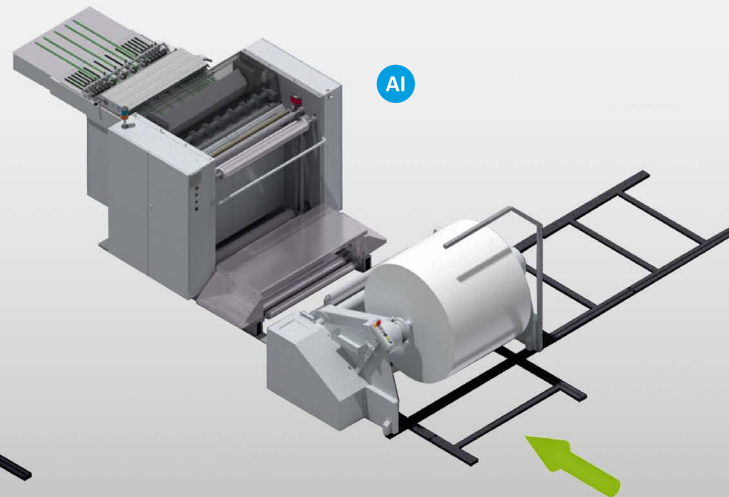
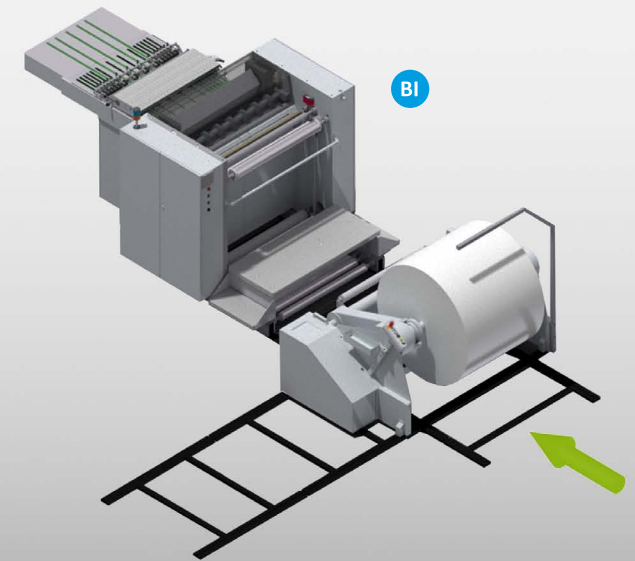


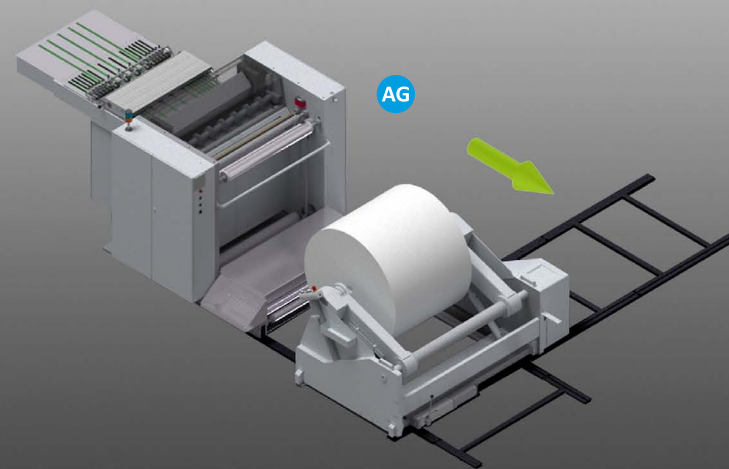
I



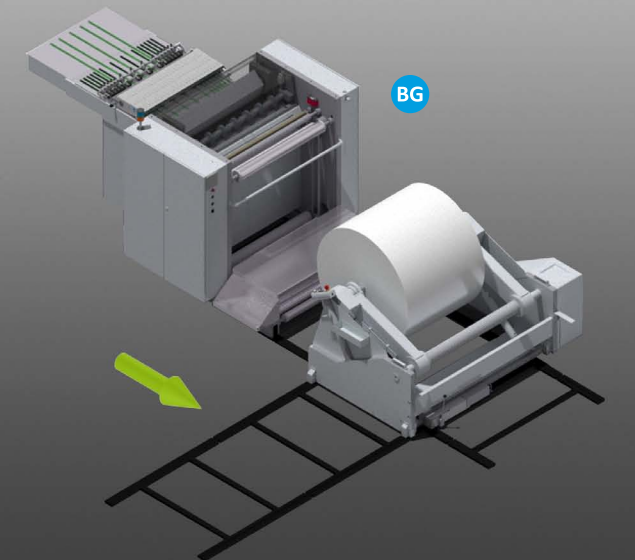
AI



BI



AG



BG

Perfectly adaptable  
to transport paths  
and local conditions

- I** Reel loading in printing direction (Inline)
- AI** Unwinder parking position on the drive side, reel loading in printing direction
- BI** Unwinder parking position on the operator side, reel loading in printing direction
- AG** Unwinder parking position on the drive side, reel loading against printing direction
- BG** Unwinder parking position on the operator side, reel loading against printing direction